

SPECIFICATIONS		FEATURES		nano twist XT		COLOUR PALETTE 6 EXCITING COLOURS	
OVERALL DIMENSIONS		INTERIOR		NANO TWIST XT		DAMSON PURPLE	
Overall Length	3099 mm	Seat Upholstery	Premium beige fabric/ Trendy sporty black fabric*	DAZZLE BLUE	NEW	NEW	
Overall Width	1495 mm (Without ORVMs)	Door Trim	Premium beige/Trendy sporty black fabric and Black vinyl*	PAPAYA ORANGE	NEW	NEW	
Overall Height	1652 mm	Dashboard	Barley beige/Ebony black* Silver metallic/Silver dust*	PEARL WHITE	NEW	NEW	
Wheel Base	2230 mm	Center Fascia	✓	METEOR SILVER	NEW	NEW	
Ground Clearance	180 mm	Dual Glove Boxes	✓	ROYAL GOLD	NEW	NEW	
Minimum Turning Circle Radius	4 m	Dash Integrated with AmphiStream™	✓				
Seating Capacity	4 persons	Music System with CD, MP3, AUX, USB & Bluetooth	✓				
Fuel Tank Capacity	15 Litres	Front and Rear Speakers	Silver metallic/Exterior colour coordinated*				
Kerb Weight		Bezel around 4 speakers					
Nano Twist XT Boot Space	660 kg With rear seat folded: 500 Litres Without rear seat folded: 80 Litres	Premium Seats	✓				
ENGINE & TRANSMISSION		Rear Parcel Shelf with Integrated Speakers	✓				
Engine Type	624 cc, 2 Cylinder, MPFI	A, B & C Pillar Trims	✓				
Maximum Power	38 PS @ 5500 +/- 250 rpm	Electronic Trip Meter	✓				
Maximum Torque	51 Nm @ 4000 +/- 500 rpm	Fuel Gauge	Digital				
Top Speed	105 kmph	Steering Wheel	3 Spoke				
Gradeability	30%						
Transmission	Synchromesh on all forward gears. Sliding mesh on reverse gear with overdrive on 4 th gear						
No. of Gears	4 Forward + 1 Reverse						
STEERING SYSTEM		COMFORT & CONVENIENCE					
Electric Power Assisted (brushless type)		Electric Power Assisted Steering (brushless type)	✓				
SUSPENSION		Distance to Empty Display (DTE)	✓				
Front	Independent, lower wishbone, McPherson strut with gas-filled dampers and anti-roll bar	Average Fuel Economy Display (AFE)	✓				
Rear	Independent, semi trailing arm with coil spring & gas-filled shock absorbers	Digital Clock (LED display)	✓				
BRAKES		Remote Keyless Entry	✓				
Brake Type	Dual circuit, vertical split operated by tandem master cylinder with vacuum booster	Air Conditioning	✓				
Front	180 mm dia. drum brake	Heater	✓				
Rear	180 mm dia. drum brake	Front Power Windows	✓				
WHEELS & TYRES		12V Power Socket (Mobile Charger)	✓				
Tyre Type	Radial & Tubeless	Cup Holders in Front Console	With bottle holder				
Front Tyre Size	135/70 R 12	Cabin Lamp	With dimming effect				
Rear Tyre Size	155/65 R 12	Magazine and Coin Holder on all Doors	✓				
Spare Tyre Size	135/70 R 12	Map Pocket	✓				
Wheels Size	4 B x 12	Front Seat Headrests	✓				
FEATURES		Rear Seat Integral Headrests	✓				
EXTERIOR		Sunvisor on Driver and Passenger Side	✓				
Body Colour Bumpers	✓	Co-Driver Sunvisor With Integrated Vanity Mirror	✓				
Body Colour Door Handles	✓	Driver Seat With Slider	✓(With recliner)				
Chrome Strips Front and Rear	✓	Passenger Side Seat With Slider	✓(With recliner)				
Driver Side Tip-Tap ORVM	Body coloured	Front Assist Grips	✓				
Passenger Side Tip-Tap ORVM	Body coloured	Rear Assist Grips	✓				
Front Fog Lamps	✓	Low Fuel Warning Lamp	✓				
Wheel Covers	Full wheel covers	Rear Seat Folding	✓				
Aerokit	Bumper with air dam						
Tinted Glasses	✓	SAFETY & SECURITY					
Front Wiper & Washer	2 Speed + intermittent	Central Locking	✓				
Front Windshield	Tinted	Radial Tubeless Tyres	✓				
Roof Beading	✓	Center High Mount Stop Lamp	✓				
Roof Spoiler	✓	Booster-assisted Brakes	✓				
Roof Mounted Antenna	✓	Front & Rear Seat Belts	✓				
Clear Lens Headlamp & Tail Lamp	✓	Additional Body Reinforcements	✓				
	✓	Intrusion Beam	✓				
	✓		Integral feature through innovative door system design				

nano CELEBRATE AWESOMENESS

Accessories shown in the picture and features mentioned in the test may not be a part of the standard equipment. The contents are not binding and are subject to change without notice. These are indicative specifications for reference only. Colours may not match the actual colours due to printing limitations.



Size: 11X8.5 Inch

PRESENTING A TWIST IN THE CITY

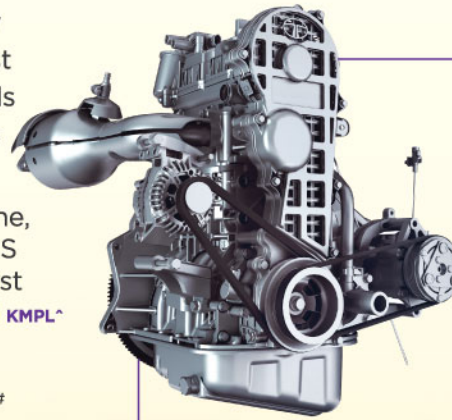
Awesomeness now comes with a twist. Introducing Nano Twist with power steering. From turns to roundabouts, traffic jams and tight corners, the new Nano Twist is all you need to take on all that the city has got.

CORNER THE CURVES

- ▶ New Electric Power Assisted Steering designed for easy manoeuvring in tight corners and parking spots
- ▶ **"Active Return"** feature returns the steering wheel back to straight-ahead position when it's released after taking a turn
- ▶ Gives drivers more confidence and increases stability at higher speeds
- ▶ Smallest turning radius of **4m** makes it perfect for crowded cities and narrow lanes
- ▶ SUV-like ground clearance of **180mm** to take on rough terrains

TECHNOLOGY AT ITS BEST

- ▶ **31** design and **37** technology patents - the new Nano Twist offers the best of both worlds with cutting-edge aesthetics and functionality
- ▶ Equipped with a 624cc engine, delivering an impressive 38PS of power, and still India's most fuel-efficient petrol car at **25 KMPL***
- ▶ Low cost of maintenance
- ▶ 4 year/60,000 km warranty#



PAINT THE TOWN RED



DELIGHT IN DRIVING

- ▶ Twin glove box compartment for added storage and convenience
- ▶ Cabin light with dimming effect
- ▶ Exterior colour - coordinated speaker bezels*
- ▶ Front fog lamps
- ▶ Tip-tap outside rearview mirrors
- ▶ Full wheel covers
- ▶ Sporty mesh rear bumper with stylised chrome accents on the front and rear
- ▶ Unmatched safety - the new Nano Twist has a monocoque chassis with well-engineered safety crumple zones for protection in the event of a collision



COMFORT AND STYLE

